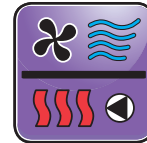


tekmar® Submittal

Boiler Control 270



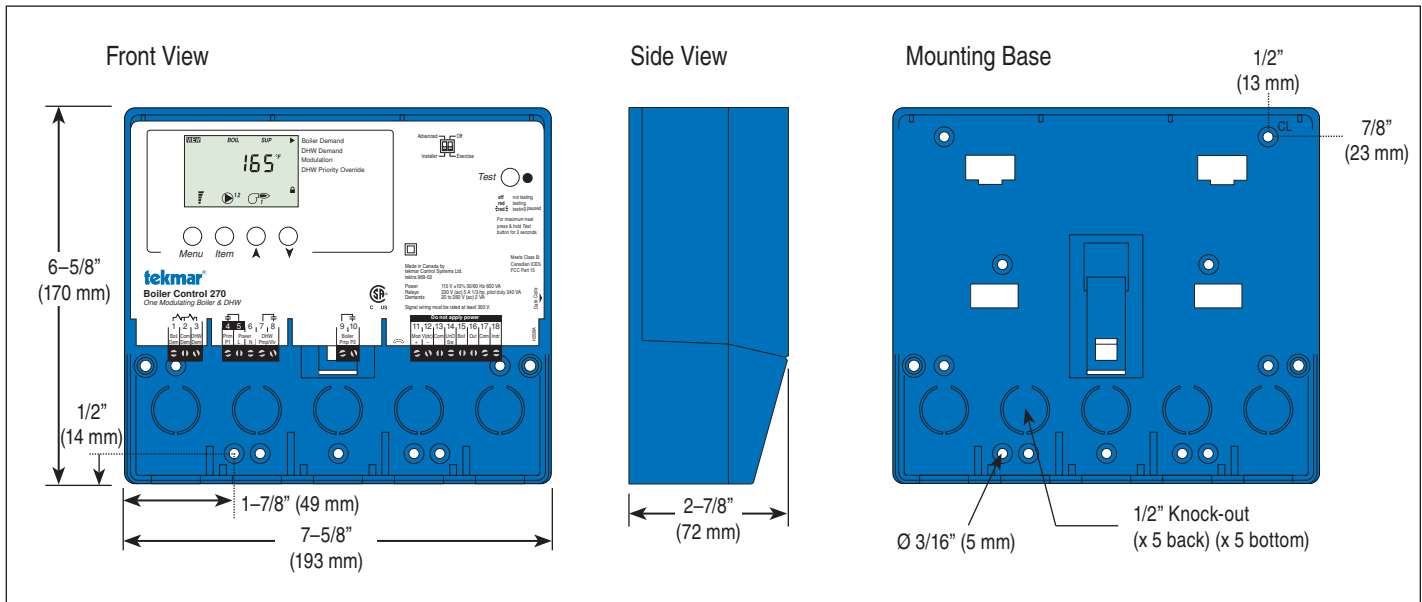
C 270

01/11

HVAC Systems Replaces: New

Job _____ Designer _____ Contact _____

The Boiler Control 270 is designed to operate a single modulating boiler using Outdoor Temperature Reset. It can be used in applications ranging from baseboard or radiant heating systems, to combination radiant and DHW systems. This control regulates a single heating water temperature through Outdoor Temperature Reset and/or setpoint/DHW control. It is capable of controlling a single modulating boiler, as well as the system pump.



Specifications

Boiler Control 270 One Modulating Boiler & DHW	
Literature	D270, A270, D001, D070
Control	Microprocessor control. This is not a safety (limit) control
Packaged weight	3.3 lb. (1500 g)
Dimensions	6-5/8" H x 7-9/16" W x 2-13/16" D (170 x 193 x 72 mm)
Enclosure	Blue PVC plastic, NEMA type 1
Approvals	CSA C US, meets class B: ICES & FCC Part 15
Ambient conditions	Indoor use only, 32 to 122°F (0 to 50°C), RH ≤90% Non-condensing, Altitude <6560 ft. (2000 m), Installation Category II, Pollution Degree 2
Power supply	115 V (ac) ±10%, 50/60 Hz, 600 VA max
Relay	230 V (ac) 5 A, 1/3 hp, pilot duty 240 VA
Modulation output	0-10 V (dc)
Demands	20 to 260 V (ac) 2 VA
Sensors	NTC thermistor, 10 kΩ @ 77°F (25°C ±0.2°C) β=3892
-Included	Outdoor Sensor 070 and Universal Sensor 082
-Optional	tekmar type #: 033, 076, 077, 084
Warranty	Limited 3 Year (See D270 for full warranty)

Energy Saving Features

- Outdoor Temperature Reset
- Indoor Temperature Feedback (with optional indoor sensor)
- Setback input for energy savings
- Warm Weather Shut Down

Additional Features

- Modulating boiler control
- Quick setup for easy installation and programming of control
- User comfort adjustment to increase or decrease building space temperature
- Advanced settings to fine-tune building requirements
- Pump and valve exercising
- Powered system pump output
- DHW pump or valve operation
- Optional DHW priority
- Test sequence to ensure proper component operation
- 120 V (ac) power supply
- Optional boiler pump operation

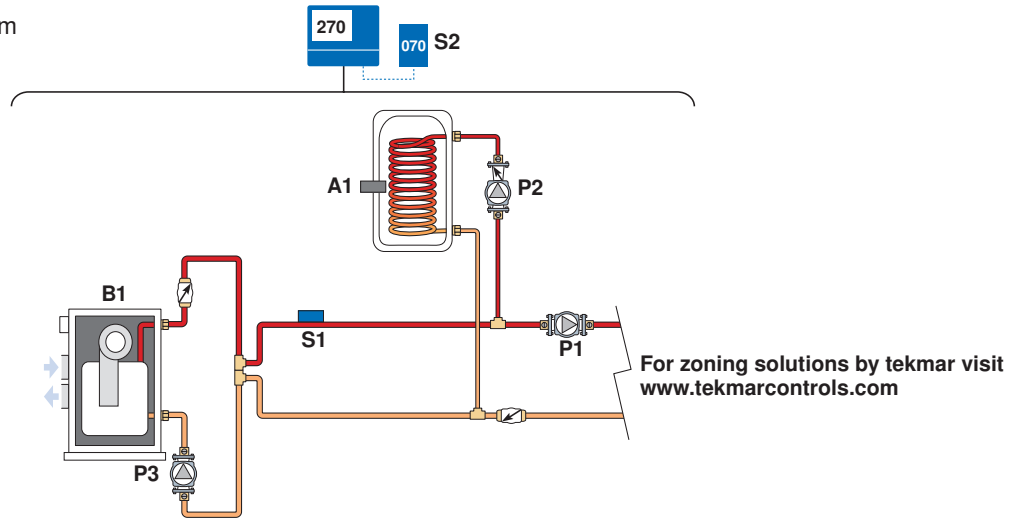
SPECIAL REQUIREMENTS

N / A

Sample Application Drawing

Below is a sample application drawing for this product. This application may include other tekmar products that are required for installation. More sample applications can be found at www.tekmarcontrols.com.

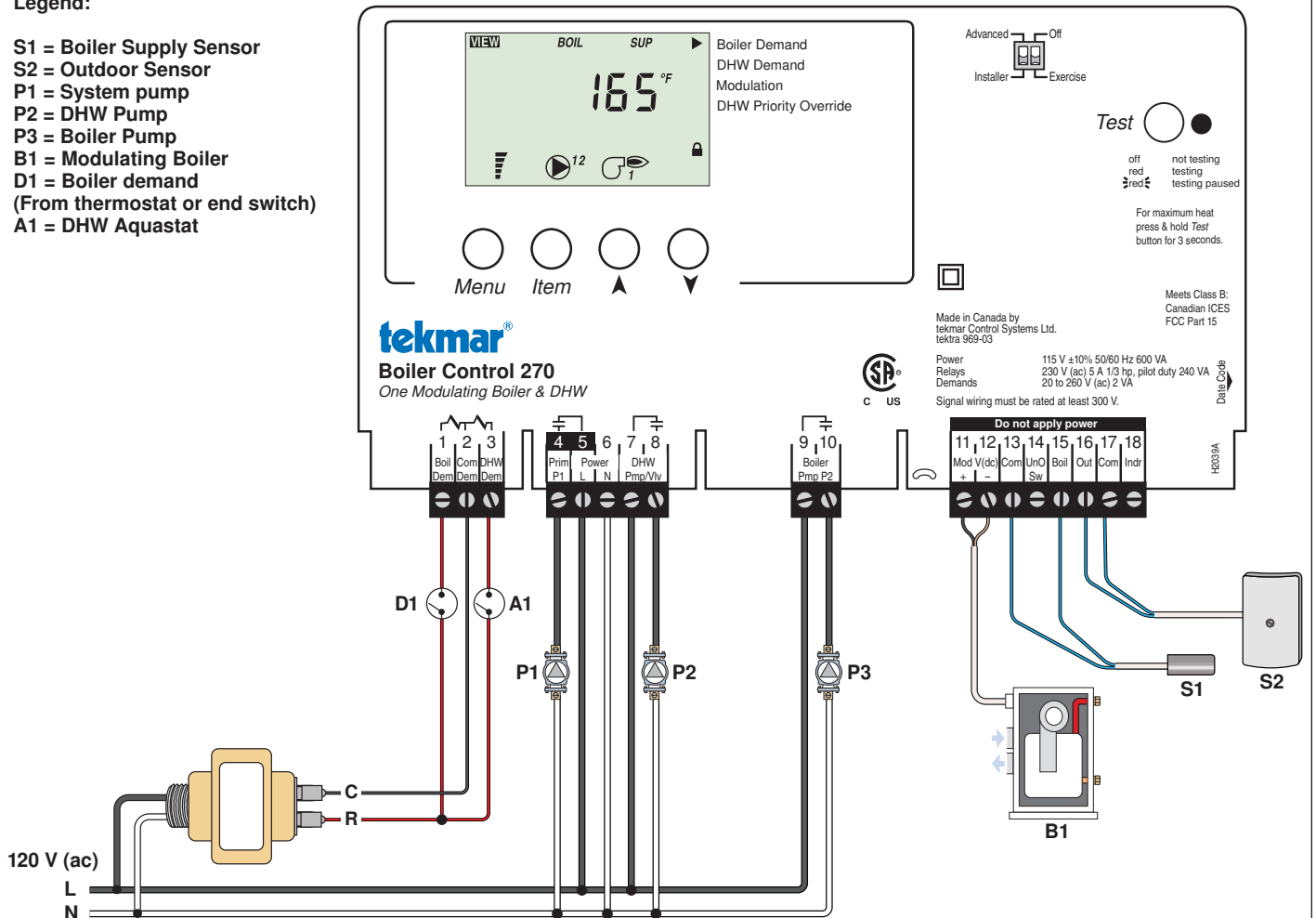
Sample Mechanical diagram



Sample Electrical diagram

Legend:

- S1 = Boiler Supply Sensor
- S2 = Outdoor Sensor
- P1 = System pump
- P2 = DHW Pump
- P3 = Boiler Pump
- B1 = Modulating Boiler
- D1 = Boiler demand (From thermostat or end switch)
- A1 = DHW Aquastat



tekmar Control Systems Ltd., Canada, tekmar Control Systems, Inc., U.S.A. Head Office: 5100 Silver Star Road, Vernon, B.C. Canada V1B 3K4, 250-545-7749, Fax. 250-545-0650 Web Site: www.tekmarcontrols.com

